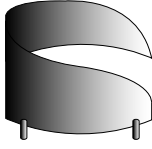



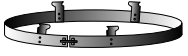

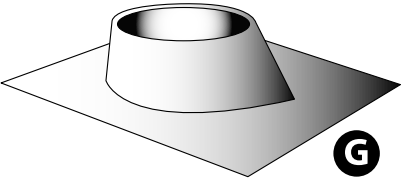
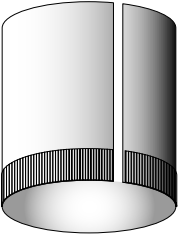
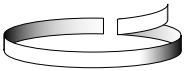
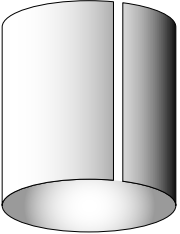





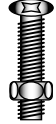


13" Standard, Flat COMPONENTS

Parts List

-  **A** SunScoop 13 - 350
-  **B** Clear acrylic dome 13 - 220
-  **C** Dark fur tape 13 - 500
-  **D** Dust Deflector Ring 13 - 348
-  **E** Upper dome retention clamp, 13 - 320
-  **F** Storm collar 13 - 400A
-  **G** Flashing 13 - 400B
-  **H** 2 Foot SunScope top section 13 - 120
-  **I** Silver tape 13 - 500
-  **J** 2 Foot SunScope bottom section 13 - 121
-  **K** Interior Dome Assembly with Foam Tape 13 - 204


Hardware 13 - 500

-  **L** 6 - 1" screws for securing bottom dome
-  **M** 6 - 1 1/2" Screw anchors
-  **N** 6 - White plastic screw caps
-  **O** 1 - 1/2" short broadhead screw for securing pipe to joist
-  **P** 1 - 2" nut and bolt for securing retention clamp

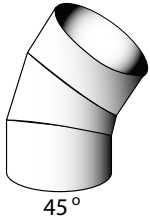
*Plus tape & gaskets (left).

OPTIONAL PARTS

Ceiling Flange Ring
13 - 340

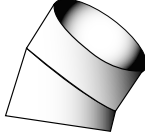


Elbow Joint
13 - 360



45°

Elbow Joint 13 - 365



30°

Additional 2' SunScope pipe sections, elbows & SunScoops are available separately from the dealer. Elbow joints may be necessary if the roof rafters are not aligned evenly with the ceiling joists or for sloped ceilings. (SEE FIGURE 3).

Not included, but recommended:
100% silicone caulking (300ml) & duct tape

CAUTION:

Ensure that electrical wires, water and gas cylinders and other hazards are clear of both the ceiling and roof areas intended to be removed. Always wear protective safety glasses and wear leather work gloves.



*Prior to construction, check with all local building authorities and check building codes for compliance.