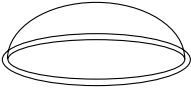




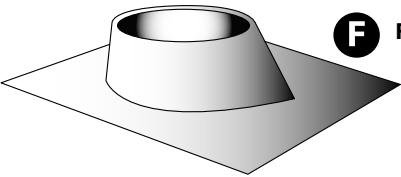
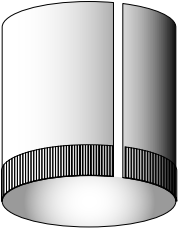
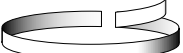
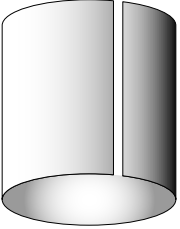








17" Standard & Flat COMPONENTS

Parts List

-  **A** Clear acrylic dome 17 - 220
-  **B** Dark fur tape 17 - 500 (attach to top of 2" pipe)
-  **C** Dust Deflector Ring 17 - 348
-  **D** Upper dome retention clamp, 17 - 320
-  **E** Storm collar 17 - 400A
-  **F** Flashing 17 - 400B
-  **G** 2 Foot SunScope top section 17 - 120
-  **H** Silver Tape 17 - 500
-  **I** 2 Foot SunScope bottom section 17 - 120
-  **J** Interior Dome Assembly with Foam Tape


Hardware 17 - 500

-  **K** 6 - 1" screws for securing bottom dome
-  **L** 6 - 1 1/2" Screw anchors
-  **M** 6 white plastic screw caps
-  **N** 1 - 1/2" short broadhead screw for securing cylinder to joist
-  **O** 1 - 2" nut and bolt for securing retention clamp

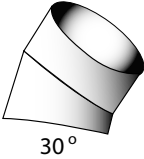
*Plus tape & gaskets (left).

OPTIONAL PARTS

Ceiling Flange Ring
17 - 340

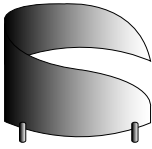


Elbow Joint
17 - 360



30°

SunScoop
17 - 350



Additional 2' SunScope pipe sections, elbows & SunScoops are available separately from the dealer. Elbow joints may be necessary if the roof rafters are not aligned evenly with the ceiling joists or for sloped ceilings. (SEE FIGURE 3).

Not included, but recommended:
100% silicone caulking (300ml) & duct tape

CAUTION:

Ensure that electrical wires, water and gas cylinders and other hazards are clear of both the ceiling and roof areas intended to be removed. Always wear protective safety glasses and wear leather work gloves.



*Prior to construction, check with all local building authorities and check building codes for compliance.