




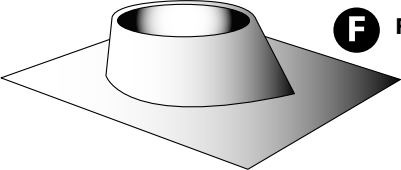
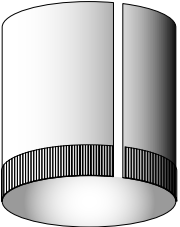
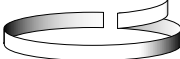
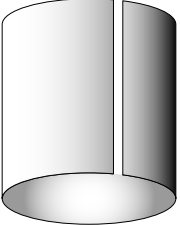





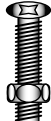


## 21" Standard & Flat COMPONENTS

### Parts List


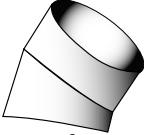
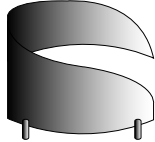
-  **A** Clear acrylic dome 21 - 220
-  **B** Dark fur tape 21 - 500
-  **C** Dust Deflector Ring 21 - 348
-  **D** Upper dome retention clamp, 21 - 320
-  **E** Storm collar 21 - 400A
-  **F** Flashing 21 - 400B
-  **G** 2 Foot SunScope top section 21 - 120
-  **H** Silver Tape 21 - 500
-  **I** 2 Foot SunScope bottom section 21 - 121
-  **J** Interior Dome Assembly with Foam Tape 21 - 204

#### Hardware 21 - 500

-  **K** 8 - 1" screws for securing bottom dome
-  **L** 8 - 1 1/2" Screw anchors
-  **M** 8 - white plastic screw caps
-  **N** 1 - 1/2" short broadhead screw for securing pipe to joist.
-  **O** 1 - 2" nut and bolt for securing retention clamp

\*Plus tape & gaskets (left).

#### OPTIONAL PARTS

<b>Ceiling Flange Ring</b> 21 - 340 	<b>Elbow Joint</b> 21 - 365  30°
<b>SunScoop</b> 21 - 350 	

Additional 2' SunScope pipe sections, elbows & SunScoops are available separately from the dealer. Elbow joints may be necessary if the roof rafters are not aligned evenly with the ceiling joists or for sloped ceilings. (SEE FIGURE 3).

Not included, but recommended:  
100% silicone caulking (300ml) & duct tape

### CAUTION:

Ensure that electrical wires, water and gas cylinders and other hazards are clear of both the ceiling and roof areas intended to be removed. Always wear protective safety glasses and wear leather work gloves.



\*Prior to construction, check with all local building authorities and check building codes for compliance.