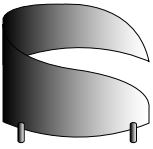

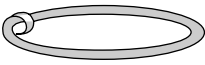

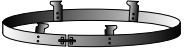

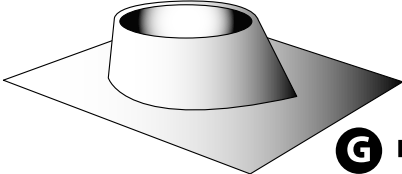
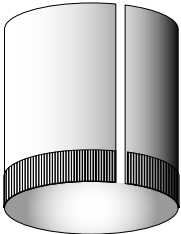

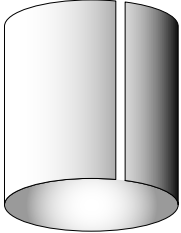





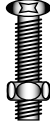


## 8.5" Standard & Flat COMPONENTS

-  **A** SunScoop 85 - 350
-  **B** Clear acrylic dome 85 - 220
-  **C** Dark fur tape 85 - 500 (attach to top of 2" pipe)
-  **D** Dust Deflector Ring 85 - 348
-  **E** Upper dome retention clamp, 85 - 320
-  **F** Storm collar 85 - 400A
-  **G** Flashing 85 - 400B
-  **H** 2 Foot SunScope top section 85 - 120
-  **I** Silver tape 85 - 500
-  **J** 2 Foot SunScope bottom section 85 - 120
-  **K** Interior Dome Assembly with Foam Tape

### Hardware 85 - 500

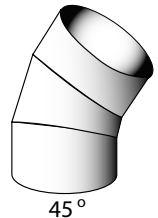
-  **L** 4 - 1" screws for securing bottom dome
  -  **M** 4 - 1 1/2" Screw anchors
  -  **N** 4 white plastic screw caps
  -  **O** 1 - 1/2" short broadhead screw for securing cylinder to joist
  -  **P** 1 - 2" nut and bolt for securing retention clamp
- \*Plus tape & gaskets (left).

### OPTIONAL PARTS

Ceiling Flange Ring  
85 - 340



Elbow Joint  
85 - 360



Additional 2' SunScope pipe sections, elbows & SunScoops are available separately from the dealer. Elbow joints may be necessary if the roof rafters are not aligned evenly with the ceiling joists or for sloped ceilings. (SEE FIGURE 3).

Not included, but recommended:  
100% silicone caulking (300ml) & duct tape

### CAUTION:

Ensure that electrical wires, water and gas cylinders and other hazards are clear of both the ceiling and roof areas intended to be removed. Always wear protective safety glasses and wear leather work gloves.