

FIGURE 1

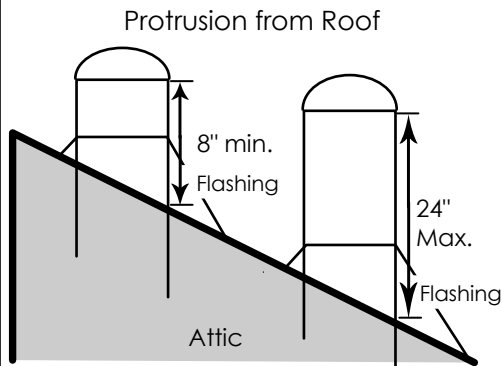


FIGURE 2

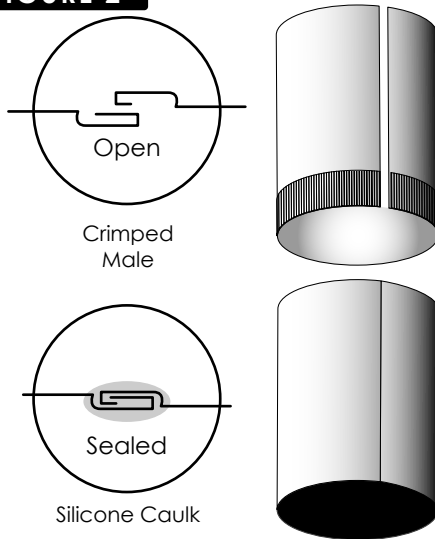
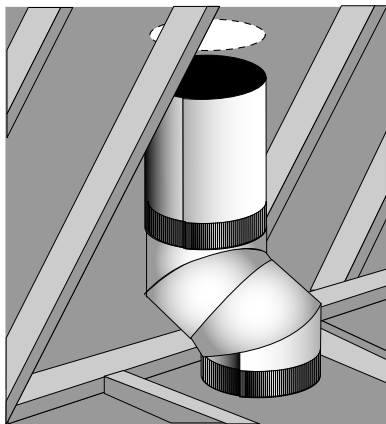


FIGURE 3



Please read all instructions carefully before installing your SunScope.

Before you begin installation, confirm the length of SunScope you require by measuring the distance from the ceiling to the bottom of the roof boards and adding a minimum of 8" but not exceeding 12" depending on the height necessary to attain maximum exposure to the sun during the low winter zenith. (SEE FIGURE 1).

NOTE: When the SunScope is mounted on the northern roof slope it may become shaded by the roof ridge during the winter. To avoid this situation, the length of the SunScope may be increased. Additional 2' SunScope sections are available from the dealer. Only extend the SunScope a maximum of 24" above the low side of the roof hole. (SEE FIGURE 1).

CAUTION: Ensure that electrical wires, washing and gas cylinders and other hazards are clear of both the ceiling and roof areas intended to be removed. Always wear protective safety glasses avoid looking up the cylinder on a bright, sunny day, and wear leather work gloves.

Preparing the SunScope™

STEP 1: The SunScope is lined with a clear protective film. Use a sharp utility knife to gently score the protective film along the rolled edges of the lock seam. Be careful to apply only enough pressure to cut the film. Do this before you assemble the pipe, it will make the film removal easier. Do not remove the film until near completion of installation (STEP 19). Dirt or dust particles may become attached to the inner surface of the SunScope and decrease its efficiency.

STEP 2: To assemble the SunScope sections F and H, carefully pull back the film along the seams, lie the cylinder down and fit the seam together at one end. Start at that end of the cylinder and work toward the opposite end until both seams are locked into place. (SEE FIGURE 2).

STEP 3: Determine the desired location of the SunScope's dome on the ceiling. hammer a thin nail through the ceiling at the desired location, remove the nail, insert a straightened length of coat hanger to a depth of approximately 12". Enter the attic space (if there is an attic) and ensure that no electrical wires, water or gas lines will be in the way of the SunScope installation.

STEP 4: Confirm that the joists are 16" or 24" centers and determine on which side of the joist the rafters overlap. The SunScope will be secured by screwing it directly to the joist. Make a second hole that is 4 3/8" from the joist. For trusses on 24" centers, the center of the SunScope can be 4 3/8" from either truss because there are no overlapping rafters. Also, the SunScope can also be installed anywhere between the trusses with the addition of a two-by-four truss header. The SunScope will then be attached to the truss header. (SEE FIGURE 4).

STEP 5: To locate the same centre hole position on the roof boards, plumb a straight line up from the centre hole on the ceiling. Ensure that the hole on the roof boards is 4 3/8" from the adjacent rafter. Using a 4" long bit, drill vertically up through the centre hole on the roof boards. Leave the drill bit in the hole to assist in finding the location on top of the roof.

Cutting the Holes

STEP 6: CEILING HOLE: Draw a 8 3/4" diameter circle on the ceiling and cut out the hole. A drywall saw is all that is necessary. The hole should be directly adjacent or flush with a joist. (SEE FIGURE 5). You can use the Dust Deflector as a template.

STEP 7: ROOF HOLE: Using a flat bar, loosen the shingles around the centre hole. Be careful not to damage them. Asphalt shingles may be too brittle to remove in cold weather. The bottom few inches of the flashing base "G" should lie over top of the lower shingles. Do Not cut the adjacent rafter. Lay flashing on roof, ensuring that flashing is centered above the hole. Trace a line on the roof around the inside of the flashing and remove flashing. Cut hole. (SEE FIGURE 6).